

JENN-AIR® 30" AND 36" (76.2 CM AND 91.4 CM) TOUCH CONTROL RADIANT COOKTOP

TABLE DE CUISSON RADIANTE À ASPIRATION PAR LE BAS JENN-AIR® DE 30" ET 36" (76,2 CM ET 91,4 CM)

Use & Care Guide

For questions about features, operation/performance, parts, accessories, or service in the U.S.A., call:

1-800-(JennAir) 1-800-536-6247, or visit our website at **www.jennair.com**.

In Canada, call: **1-800-807-6777**, or visit our website at **www.jennair.ca**.

Guide d'utilisation et d'entretien

Au Canada, pour assistance, installation ou service, composez le **1-800-807-6777** ou visitez notre site web à **www.jennair.ca**.

Table of Contents/Table des matières 2

IMPORTANT: READ AND SAVE THESE INSTRUCTIONS.

FOR RESIDENTIAL USE ONLY.

IMPORTANT : LIRE ET CONSERVER CES INSTRUCTIONS.

POUR UTILISATION RÉSIDENNELLE UNIQUEMENT.



W10197057B

TABLE OF CONTENTS

COOKTOP SAFETY	3
PARTS AND FEATURES	5
COOKTOP USE	6
Cooktop Controls - Electronic Touch Controls.....	6
Dual/Triple Element.....	7
Keep Warm.....	7
All Off/Lock.....	8
Ceramic Glass.....	8
Downdraft Ventilation System.....	8
Home Canning.....	9
Cookware.....	9
COOKTOP CARE	10
General Cleaning.....	10
TROUBLESHOOTING	11
ASSISTANCE OR SERVICE	12
In the U.S.A.	12
Accessories.....	12
In Canada.....	12
WARRANTY	13

TABLE DES MATIÈRES

SÉCURITÉ DE LA TABLE DE CUISSON	16
PIÈCES ET CARACTÉRISTIQUES	18
UTILISATION DE LA TABLE DE CUISSON	20
Commandes de la table de cuisson - commandes électroniques tactiles.....	20
Éléments double/triple.....	21
Keep Warm (maintien au chaud).....	22
Arrêt/verrouillage total.....	22
Vitrocéramique.....	22
Système de ventilation avec aspiration par le bas.....	23
Préparation de conserves à la maison.....	24
Ustensiles de cuisson.....	24
ENTRETIEN DE LA TABLE DE CUISSON	25
Nettoyage général.....	25
DÉPANNAGE	27
ASSISTANCE OU SERVICE	28
Au Canada.....	28
Accessoires.....	28
GARANTIE	29

COOKTOP SAFETY

Your safety and the safety of others are very important.

We have provided many important safety messages in this manual and on your appliance. Always read and obey all safety messages.



This is the safety alert symbol.

This symbol alerts you to potential hazards that can kill or hurt you and others.

All safety messages will follow the safety alert symbol and either the word "DANGER" or "WARNING."

These words mean:

⚠ DANGER

You can be killed or seriously injured if you don't immediately follow instructions.

⚠ WARNING

You can be killed or seriously injured if you don't follow instructions.

All safety messages will tell you what the potential hazard is, tell you how to reduce the chance of injury, and tell you what can happen if the instructions are not followed.

IMPORTANT SAFETY INSTRUCTIONS

WARNING: To reduce the risk of fire, electrical shock, injury to persons, or damage when using the cooktop, follow basic precautions, including the following:

- **CAUTION:** Do not store items of interest to children in cabinets above a cooktop – Children climbing on the cooktop to reach items could be seriously injured.
- Proper Installation – Be sure your cooktop is properly installed and grounded by a qualified technician.
- Never Use Your Cooktop for Warming or Heating the Room.
- Do Not Leave Children Alone – Children should not be left alone or unattended in area where cooktop is in use. They should never be allowed to sit or stand on any part of the cooktop.
- Wear Proper Apparel – Loose-fitting or hanging garments should never be worn while using the cooktop.
- User Servicing – Do not repair or replace any part of the cooktop unless specifically recommended in the manual. All other servicing should be referred to a qualified technician.
- Storage on Cooktop – Flammable materials should not be stored near surface units.
- Do Not Use Water on Grease Fires – Smother fire or flame or use dry chemical or foam-type extinguisher.
- Use Only Dry Potholders – Moist or damp potholders on hot surfaces may result in burns from steam. Do not let potholder touch hot heating elements. Do not use a towel or other bulky cloth.
- DO NOT TOUCH SURFACE UNITS OR AREAS NEAR UNITS – Surface units may be hot even though they are dark in color. Areas near surface units may become hot enough to cause burns. During and after use, do not touch, or let clothing or other flammable materials contact surface units or areas near units until they have had sufficient time to cool. Among those areas are the cooktop and surfaces facing the cooktop.
- Use Proper Pan Size – This cooktop is equipped with one or more surface units of different size. Select utensils having flat bottoms large enough to cover the surface unit heating element. The use of undersized utensils will expose a portion of the heating element to direct contact and may result in ignition of clothing. Proper relationship of utensil to burner will also improve efficiency.

- Never Leave Surface Units Unattended at High Heat Settings – Boilover causes smoking and greasy spillovers that may ignite.
- Glazed Cooking Utensils – Only certain types of glass, glass/ceramic, ceramic, earthenware, or other glazed utensils are suitable for cooktop service without breaking due to the sudden change in temperature.
- Utensil Handles Should Be Turned Inward and Not Extend Over Adjacent Surface Units – To reduce the risk of burns, ignition of flammable materials, and spillage due to unintentional contact with the utensil, the handle of a utensil should be positioned so that it is turned inward, and does not extend over adjacent surface units.
- Do Not Cook on Broken Cooktop – If cooktop should break, cleaning solutions and spillovers may penetrate the broken cooktop and create a risk of electric shock. Contact a qualified technician immediately.
- Clean Cooktop With Caution – If a wet sponge or cloth is used to wipe spills on a hot cooking area, be careful to avoid steam burn. Some cleaners can produce noxious fumes if applied to a hot surface.

For units with ventilating hood –

- Clean Ventilating Hoods Frequently – Grease should not be allowed to accumulate on hood or filter.
- When flaming foods under the hood, turn the fan on.

For units with coil elements –

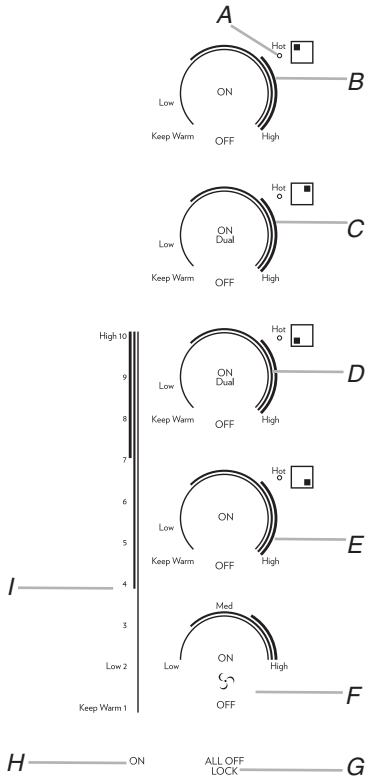
- Make Sure Reflector Pans or Drip Bowls Are in Place – Absence of these pans or bowls during cooking may subject wiring or components underneath to damage.
- Protective Liners – Do not use aluminum foil to line surface unit drip bowls, except as suggested in the manual. Improper installation of these liners may result in a risk of electric shock, or fire.
- Do Not Soak Removable Heating Elements - Heating elements should never be immersed in water.

SAVE THESE INSTRUCTIONS

PARTS AND FEATURES

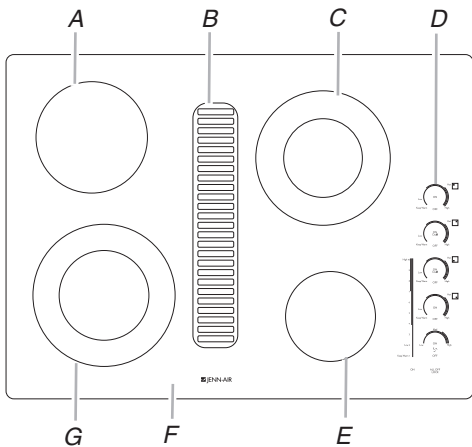
This manual covers different models. The cooktop you have purchased may have some or all of the items listed.

30" (76.2 cm) Control Panel



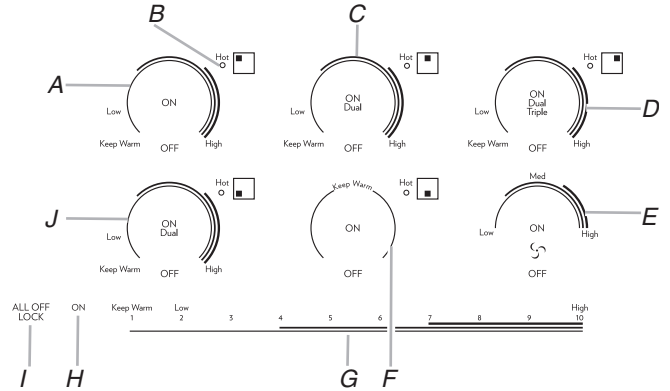
- A. Hot surface indicator light
- B. 8" (20.3 cm) Single element electronic touch control
- C. 9"/6" (22.9 cm/15.2 cm) Dual element electronic touch control
- D. 9"/6" (22.9 cm/15.2 cm) Dual element electronic touch control
- E. 6" (15.2 cm) Single element electronic touch control
- F. Three-speed fan electronic touch control
- G. All off/Lock electronic touch control
- H. "On" indicator light
- I. Electronic touch power select bar

30" (76.2 cm) Cooktop Layout and Features



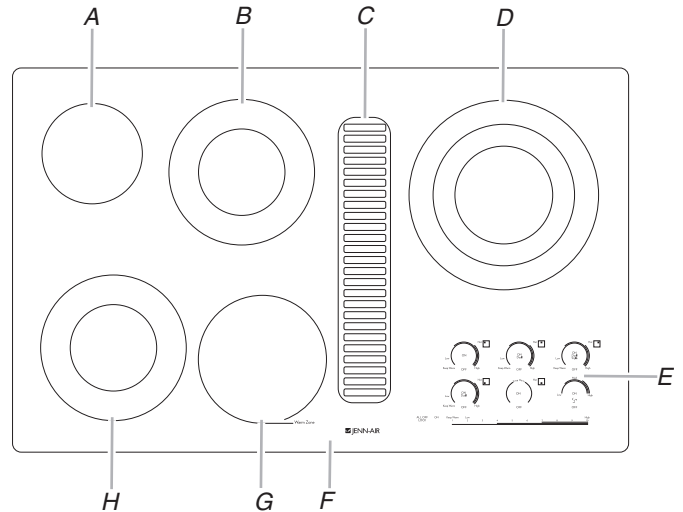
- A. 8" (20.3 cm) Single element burner
- B. Downdraft vent grille
- C. 9"/6" (22.9 cm/15.2 cm) Dual element burner
- D. Control panel
- E. 6" (15.2 cm) Single element burner
- F. Ceramic cooking surface
- G. 9"/6" (22.9 cm/15.2 cm) Dual element burner

36" (91.4 cm) Control Panel



- A. 6" (15.2 cm) Single element electronic touch control
- B. Hot surface indicator light
- C. 9"/6" (22.9 cm/15.2 cm) Dual element electronic touch control
- D. 12" (30.5 cm) Triple element electronic touch control
- E. Three-speed fan electronic touch control
- F. Keep warm zone control
- G. Electronic touch power select bar
- H. "On" indicator light
- I. All off/Lock electronic touch control
- J. 9"/6" (22.9 cm/15.2 cm) Dual element electronic touch control

36" (91.4 cm) Cooktop Layout and Features



- A. 6" (15.2 cm) Single element burner
- B. 9"/6" (22.9 cm/15.2 cm) Dual element burner
- C. Downdraft vent grille
- D. 12" (30.5 cm) Triple element burner
- E. Control panel
- F. Ceramic cooking surface
- G. Keep warm zone
- H. 9"/6" (22.9 cm/15.2 cm) Dual element burner

Optional Jenn-Air® Duct Free Filter Accessory Kit (For model numbers JED4430 and JED4536)

On select downdraft models, the Jenn-Air® Duct Free Filter Accessory Kit Part Number JDA7000WX is now available. The Jenn-Air® Duct Free Filter Accessory Kit is ideal for both new construction and kitchen renovation projects because it provides an easy alternative to the installation of metal ducting and venting in the downdraft system outside the home. The kit includes all required hardware, one filter and complete installation instructions. See the "Assistance or Service" section for information on ordering.

COOKTOP USE

Cooktop Controls - Electronic Touch Controls

WARNING

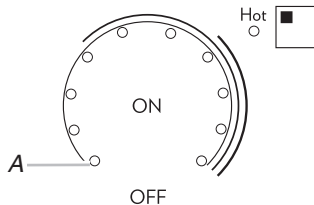


Fire Hazard

Turn off all controls when done cooking.
Failure to do so can result in death or fire.

The electronic touch controls offer a variety of heat settings for optimal cooking results.

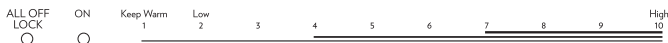
For maximum element operation, all cooktop electronic touch controls can be set to High when bringing liquids to a rapid boil. When the cooktop is turned On or after power is restored to the cooktop after a power failure, all temperature setting lights will glow for 10-15 seconds. After the lights go off, the cooktop is ready to use.



A. Keep Warm light

To Use:

1. Touch the ON pad for the desired element. The Keep Warm light will blink.
2. While the Keep Warm light is blinking, touch the desired Power Level on the Power Level Selector Bar.



A beep will sound each time a pad is touched. The lights for the selected temperature setting, and all lower temperatures, will glow.

NOTE: If a power level setting is not selected within approximately 10 seconds, the element will automatically shut off.

3. To change the temperature setting while cooking, touch the ON pad for the desired element, and select a new temperature on the Power Level Selector Bar while the Keep Warm light is blinking.
4. When finished cooking, touch OFF to turn off surface cooking area(s) individually or ALL OFF/LOCK to turn off all surface cooking areas at once.

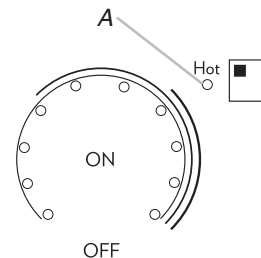
Use the following chart as a guide when setting heat levels.

SETTING	RECOMMENDED USE
High 10	<ul style="list-style-type: none"> Start food cooking. Bring liquid to a boil.
Medium High Between 7-9	<ul style="list-style-type: none"> Hold a rapid boil. Quickly brown or sear food.
Med 6	<ul style="list-style-type: none"> Maintain a slow boil. Fry or sauté foods.
Medium Low 3-5	<ul style="list-style-type: none"> Cook soups, sauces and gravies. Stew or steam food.
Low 2	<ul style="list-style-type: none"> Provide lowest simmer/heat setting. Simmer (range of simmer temperatures). Melt chocolate and butter.
Keep Warm	<ul style="list-style-type: none"> Keep cooked foods warm.
Dual/Triple Elements	<ul style="list-style-type: none"> Home canning. Large-diameter cookware. Large quantities of food.

REMEMBER: When cooktop is in use, the entire cooktop area may become hot.

Hot Surface Indicator Lights

The Hot Surface Indicator Lights are located next to each of the cooktop controls. The Hot Surface Indicator Lights will glow as long as any surface cooking area is too hot to touch, even after the surface cooking area(s) is turned off.



A. Hot surface indicator light

If the cooktop is on when a power failure occurs, the Hot Surface Indicator Lights will remain on up to 45 minutes after the power is restored to the cooktop.

Cooktop On Indicator Light

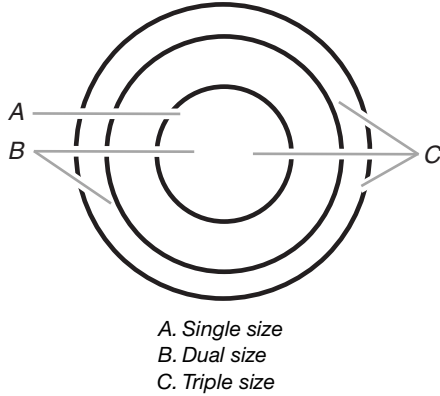
The Power Level Selector has a Cooktop On Indicator light. When any of the elements are on, the light will glow.

The Keep Warm light next to an element will glow when that element is on.

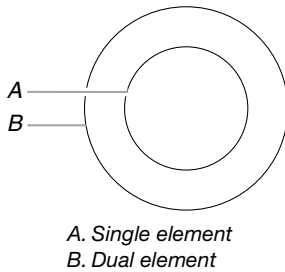
Dual/Triple Element

The dual and triple elements offer flexibility depending on the size of the cookware. Single size can be used in the same way as a regular element. The dual and triple sizes combine single, dual and outer elements, and are recommended for larger cookware, large quantities of food, and home canning.

Triple Element (on some models)

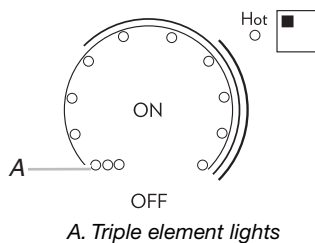


Dual Element

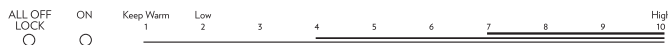


To Use DUAL and TRIPLE:

- When ON is touched, all heating zones will be active. To reduce the number of heating zones being used, touch ON again. One, two or three lights will glow to indicate the number of burner zones being used. One of the lights will blink.



- While the Keep Warm light is blinking, touch the desired Power Level on the Power Level Selector Bar.



A beep will sound each time a pad is touched. The lights for the selected temperature setting, and all lower temperatures, will glow.

NOTE: If a power level setting is not selected within approximately 10 seconds, the element will automatically shut off.

- To change the temperature setting while cooking, touch the ON pad for the desired element, and select a new temperature on the Power Level Selector Bar while the Keep Warm light is blinking.

- To change the burner zones being used while cooking, touch ON once then again while the Keep Warm light is blinking.
- When finished cooking, touch OFF to turn off surface cooking area(s) individually or ALL OFF/LOCK to turn off all surface cooking areas at once.

NOTE: The dual and triple elements will remember the setting from the last time it was used and those burner areas will automatically activate the next time ON is touched. To change the activated burner zones, touch ON once while the Keep Warm light is blinking.

Keep Warm

⚠ WARNING

Food Poisoning Hazard

Do not let food sit for more than one hour before or after cooking.

Doing so can result in food poisoning or sickness.

The Keep Warm function can be used to keep cooked foods warm, and may be used whether or not the other surface cooking zones are in use. One hour is the recommended maximum time to maintain food quality.

It is not recommended for heating cold foods. When the Keep Warm function is in use, it will not glow red like the cooking zones, but the indicator light will glow on the control panel.

Use only cookware and dishes recommended for oven and cooktop use, and those that have flat bottoms to make direct contact with the cooktop surface. Use pot holders or oven mitts to remove cookware.

Cover all foods with a lid or aluminum foil. Do not use plastic wrap to cover food, as it may melt onto the cooktop surface. When warming baked goods, allow a small opening in the cover for moisture to escape.

Food quality may deteriorate if food is kept on the Keep Warm function for an extended period of time. For best results, keep food warm for no longer than 30 to 45 minutes.

A Keep Warm setting is available on all standard surface cooking areas. A separate Keep Warm surface cooking area is also available.

To Use the Keep Warm Surface Cooking Area (on some models):

- Touch ON.
- When finished cooking, touch OFF to turn off surface cooking area.

To Use the Keep Warm Setting on Standard Surface Cooking Areas:

To Use:

- Touch the ON pad for the desired element. The Keep Warm light will blink.
- While the Keep Warm light is blinking, touch Keep Warm on the Power Level Selector Bar.



- When finished cooking, touch OFF to turn off surface cooking area.

All Off/Lock

The All Off cooktop touch control turns off the downdraft exhaust system and all surface cooking areas that are in use at the same time.

The Lock cooktop control avoids unintended use of the surface cooking areas. When the cooktop is locked out, the surface cooking areas cannot be turned on by the cooktop touch controls.

To Lock Cooktop: Touch and hold the ALL OFF/LOCK keypad for 4 seconds. After 4 seconds, ALL OFF/LOCK will glow red, indicating that the cooktop controls are in the lockout position.

To Unlock Cooktop: Touch and hold the ALL OFF/LOCK keypad for 4 seconds.

Ceramic Glass

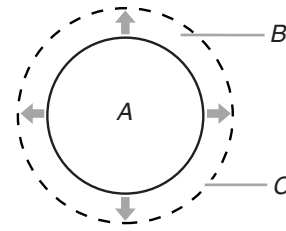
The surface cooking area will glow red when an element is on, except when Melt or Warming Zone (on some models) are used. It may cycle on and off to maintain the selected heat level.

It is normal for the surface of light colored ceramic glass to appear to change color when surface cooking areas are hot. As the glass cools, it will return to its original color.

Cleaning off the cooktop before and after each use will help keep it free from stains and provide the most even heating. On cooktops with light colored ceramic glass, soils and stains may be more visible, and may require more cleaning and attention. Cooktop cleaner and a cooktop scraper are recommended. For more information, see "General Cleaning" section.

- Avoid storing jars or cans above the cooktop. Dropping a heavy or hard object onto the cooktop could crack the cooktop.
- To avoid damage to the cooktop, do not leave a hot lid on the cooktop. As the cooktop cools, air can become trapped between the lid and the cooktop, and the ceramic glass could break when the lid is removed.
- For foods containing sugar in any form, clean up all spills and soils as soon as possible. Allow the cooktop to cool down slightly. Then, while wearing oven mitts, remove the spills using a scraper while the surface is still warm. If sugary spills are allowed to cool down, they can adhere to the cooktop and can cause pitting and permanent marks.
- To avoid scratches, do not slide cookware or bakeware across the cooktop. Aluminum or copper bottoms and rough finishes on cookware or bakeware could leave scratches or marks on the cooktop.
- Do not cook popcorn in prepackaged aluminum containers on the cooktop. They could leave aluminum marks that cannot be removed completely.
- To avoid damage to the cooktop, do not allow objects that could melt, such as plastic or aluminum foil, to touch any part of the entire cooktop.
- To avoid damage to the cooktop, do not use the cooktop as a cutting board.

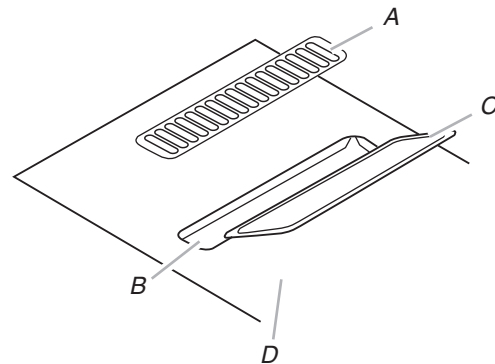
- Use cookware about the same size as the surface cooking area. Cookware should not extend more than ½" (1.3 cm) outside the area.



A. Surface cooking area
B. Cookware/canner
C. ½" (1.3 cm) maximum overhang

- Use flat-bottomed cookware for best heat conduction and energy efficiency. Cookware with rounded, warped, ribbed or dented bottoms could cause uneven heating and poor cooking results.
 - Determine flatness by placing the straight edge of a ruler across the bottom of the cookware. While you rotate the ruler, no space or light should be visible between it and the cookware.
 - Make sure the bottoms of pots and pans are clean and dry before using them. Residue and water can leave deposits when heated.
 - To avoid damage to the cooktop, do not cook foods directly on the cooktop.
-

Downdraft Ventilation System



A. Vent grille
B. Filter support tray (non-removable)
C. Removable grease filter
D. Ceramic glass top

The downdraft ventilation system consists of a vent cover, filter and vent fan. The downdraft ventilation system removes cooking vapors, odors and smoke from foods prepared on the cooktop.

IMPORTANT: For optimal performance, operate the downdraft ventilation system with the filter properly installed.

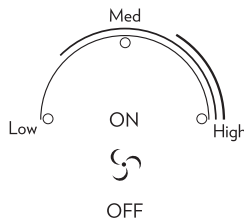
To avoid the buildup of grease, the filter should be cleaned often.

For more information on proper filter placement and cleaning, see "Downdraft Ventilation System" in the "General Cleaning" section.

To Use:

1. Touch ON once for HIGH mode, twice for MEDIUM mode, or three times for LOW mode. A beep will sound each time ON is touched.

The light under the selected mode will glow.



2. When cooking is completed, press OFF to turn the downdraft system off, or touch and hold ON for approximately 4 seconds to set the downdraft ventilation system to Automatic Mode. In Automatic Mode, the downdraft ventilation system will shut off automatically after 10 minutes.

Home Canning

When canning for long periods, alternate the use of surface cooking areas, elements or surface burners between batches. This allows time for the most recently used areas to cool.

- Center the canner on the grate or largest surface cooking area or element. On electric cooktops, canners should not extend more than ½" (1.3 cm) beyond the surface cooking area or element.
- Do not place canner on 2 surface cooking areas, elements or surface burners at the same time.
- On ceramic glass models, use only flat-bottomed canners.
- For more information, contact your local agricultural department. Companies that manufacture home canning products can also offer assistance.

Cookware

IMPORTANT: Do not leave empty cookware on a hot surface cooking area, element or surface burner.

Ideal cookware should have a flat bottom, straight sides and a well-fitting lid, and the material should be of medium-to-heavy thickness.

Rough finishes may scratch the cooktop or grates. Aluminum and copper may be used as a core or base in cookware. However, when used as a base they can leave permanent marks on the cooktop or grates.

Cookware material is a factor in how quickly and evenly heat is transferred, which affects cooking results. A nonstick finish has the same characteristics as its base material. For example, aluminum cookware with a nonstick finish will take on the properties of aluminum.

Use the following chart as a guide for cookware material characteristics.

COOKWARE	CHARACTERISTICS
Aluminum	<ul style="list-style-type: none">■ Heats quickly and evenly.■ Suitable for all types of cooking.■ Medium or heavy thickness is best for most cooking tasks.
Cast iron	<ul style="list-style-type: none">■ Heats slowly and evenly.■ Good for browning and frying.■ Maintains heat for slow cooking.
Ceramic or Ceramic glass	<ul style="list-style-type: none">■ Follow manufacturer's instructions.■ Heats slowly, but unevenly.■ Ideal results on low to medium heat settings.
Copper	<ul style="list-style-type: none">■ Heats very quickly and evenly.
Earthenware	<ul style="list-style-type: none">■ Follow manufacturer's instructions.■ Use on low heat settings.
Porcelain enamel-on-steel or cast iron	<ul style="list-style-type: none">■ See stainless steel or cast iron.
Stainless steel	<ul style="list-style-type: none">■ Heats quickly, but unevenly.■ A core or base of aluminum or copper on stainless steel provides even heating.

COOKTOP CARE

General Cleaning

IMPORTANT: Before cleaning, make sure all controls are off and the cooktop is cool. Always follow label instructions on cleaning products.

Soap, water and a soft cloth or sponge are suggested first unless otherwise noted.

CERAMIC GLASS

To avoid damage to ceramic glass, do not use steel wool, abrasive powder cleansers, chlorine bleach, rust remover or ammonia.

Always wipe with a clean, wet cloth or sponge and dry thoroughly to avoid streaking and staining.

Cooktop Polishing Creme is recommended for regular use to help avoid scratches, pitting and abrasions, and to condition the cooktop. It may be ordered as an accessory. See "Assistance or Service" to order.

A Cooktop Scraper is also recommended for stubborn soils, and can be ordered as an accessory. See "Assistance or Service" to order. The Cooktop Scraper uses razor blades. Store razor blades out of the reach of children.

Cleaning Method:

Light to moderate soil

- Paper towels or clean damp sponge

Sugary spills (jellies, candy, syrup)

- Cooktop Scraper:
Scrape sugary spills while the cooktop is still warm. You may want to wear oven mitts while doing so.
- Cooktop Polishing Creme and clean damp paper towel:
Clean as soon as cooktop has cooled down. Rub creme into surface with a damp paper towel or soft cloth. Continue rubbing until white film disappears.

Heavy soil, dark streaks, specks and discoloration

- Cooktop Polishing Creme or nonabrasive cleanser:
Rub product into soil with a damp paper towel or soft cloth. Continue rubbing until white film disappears.

Burned-on soil

- Cooktop Polishing Creme and Cooktop Scraper:
Rub creme into soil with damp paper towel. Hold scraper as flat as possible on surface and scrape. Repeat for stubborn spots. Polish entire cooktop with creme and paper towel.

Metal marks from aluminum and copper

- Cooktop Polishing Creme:
Clean as soon as cooktop has cooled down. Rub creme into surface with a damp paper towel or soft cloth. Continue rubbing until white film disappears. The marks will not totally disappear but after many cleanings become less noticeable.

Tiny scratches and abrasions

- Cooktop Polishing Creme:
Rub creme into surface with a damp paper towel or soft cloth. Continue rubbing until white film disappears. Scratches and abrasions do not affect cooking performance and after many cleanings become less noticeable.

COOKTOP CONTROLS

To avoid damage to the cooktop controls, do not use steel wool, abrasive cleansers or oven cleaner.

STAINLESS STEEL (on some models)

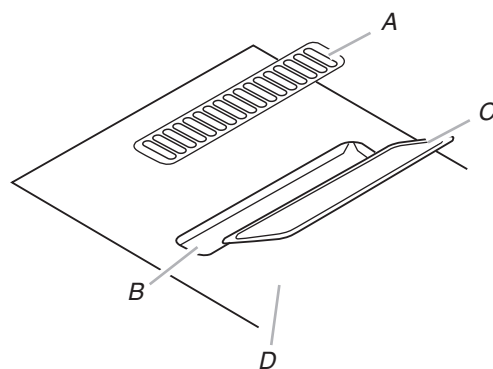
To avoid damage to stainless steel surfaces, do not use soap-filled scouring pads, abrasive cleaners, Cooktop Cleaner, steel-wool pads, gritty washcloths or abrasive paper towels.

Rub in direction of grain to avoid damaging.

Cleaning Method:

- Liquid detergent or all-purpose cleaner: Rinse with clean water and dry with soft, lint-free cloth.
- Vinegar for hard water spots.

DOWNDRAFT VENTILATION SYSTEM



A. Vent grille
B. Filter support tray (non-removable)
C. Removable grease filter
D. Ceramic glass top

Vent Grille

Cleaning Method:

- Grasp the opening and lift the vent grille of the cooktop.
- Wipe clean or wash in sink:
Nonabrasive plastic scrubbing pad and mildly abrasive cleanser
- Dishwasher:
Use mild detergent.

Removable Grease Filter

The filter is a permanent type and should be cleaned when soiled.

Cleaning Method:

- Turn off the downdraft ventilation system before removing the filter.
- Remove vent grate then lift the filter out of the vent chamber.
- Clean the filter in the sink with warm water and detergent or in the dishwasher.
- Replace the filter.

The filter should always be placed at an angle. As you face the front of the cooktop, the top of the filter should rest against the left side of the vent opening. The bottom of the filter should rest against the right side of the vent chamber at the bottom.

If the filter is flat against the fan wall, ventilation effectiveness will be reduced.

Ventilation Chamber

The ventilation chamber, which houses the filter, should be cleaned in the event of spills or when it becomes coated with a film of grease.

Cleaning Method:

- Mild household detergent or cleanser and paper towel, damp cloth or sponge:

Apply detergent or cleanser to paper towel, damp cloth or sponge, not directly to the ventilation chamber.

Optional Jenn-Air® Duct Free Replacement Filter

The Jenn-Air® Duct Free Replacement Filter Cartridge Part Number JDA8000WX is designed for six months of normal cooking activity. The filter cartridge is not designed to be cleaned or reused and must be changed when indicated by the TimeStrip®. Downdraft performance will be reduced if the filter is not changed when recommended by the TimeStrip®. See the "Assistance or Service" section for information on ordering.

TROUBLESHOOTING

Try the solutions suggested here first in order to avoid the cost of an unnecessary service call.

Nothing will operate

- **Has a household fuse blown, or has a circuit breaker tripped?**
Replace the fuse or reset the circuit breaker. If the problem continues, call an electrician.

Cooktop will not operate

- **Is the control set correctly?**
Push in knob before turning to a setting.

Excessive heat around cookware on cooktop

- **Is the cookware the proper size?**
Use cookware about the same size as the surface cooking area, element or surface burner. Cookware should not extend more than ½" (1.3 cm) outside the cooking area.

Cooktop cooking results not what expected

- **Is the proper cookware being used?**
See "Cookware" section.
- **Is the control set to the proper heat level?**
See "Cooktop Controls" section.
- **Is the "All Off Lock" Cooktop Lockout set?**
See the "All Off/Lock" section.
- **Is the appliance level?**
Level the appliance. See the Installation Instructions.
- **Is the cooktop beeping continuously?**
Wipe debris from the control panel surface.

Downdraft performance not what expected

- **Is the filter clean?**
See "General Cleaning" section for instructions on cleaning the filter.

ASSISTANCE OR SERVICE

Before calling for assistance or service, please check “Troubleshooting.” It may save you the cost of a service call. If you still need help, follow the instructions below.

When calling, please know the purchase date and the complete model and serial number of your appliance. This information will help us to better respond to your request.

In the U.S.A.

If the problem is not due to one of the items listed in the “Troubleshooting” section...

Call the dealer from whom your appliance was purchased, or call Jenn-Air at **1-800-JENNAIR (1-800-536-6247)** to locate an authorized service company. When calling, please know the purchase date and the complete model and serial number of your appliance. Be sure to retain proof of purchase to verify warranty status.

If the dealer or service company cannot resolve your problem, write to:

Jenn-Air Brand Home Appliances
Customer eXperience Center
553 Benson Road
Benton Harbor, MI 49022-2692

Web address: www.jennair.com

Or call: **1-800-JENNAIR (1-800-536-6247)**

U.S. customers using TTY for deaf, hearing impaired or speech impaired, call: **1-800-688-2080**.

NOTE: When writing or calling about a service problem, please include the following information:

1. Your name, address and daytime telephone number.
2. Appliance model number and serial number.
3. Name and address of your dealer or servicer.
4. A clear description of the problem you are having.
5. Proof of purchase (sales receipt).

User’s guides, service manuals and parts information are available from Jenn-Air Brand Home Appliances, Customer eXperience Center.

Accessories

Cooktop Cleaner

(ceramic glass models)

Order Part Number 31464

Cooktop Protectant

(ceramic glass models)

Order Part Number 31463

Cooktop Scraper

(ceramic glass models)

Order Part Number WA906B

Stainless Steel Cleaner and Polish

(stainless steel models)

Order Part Number 31462

All-Purpose Appliance Cleaner

Order Part Number 31682

Replacement Grease Filter

Order Part Number W10240990

Optional Jenn-Air® Duct Free Filter Accessory Kit

(for models JED3430, JED3536, JED4430, JED4536, JGD3430 and JGD3536)

Order Part Number JDA7000WX

Optional Jenn-Air® Duct Free Replacement Filter

Order Part Number JDA8000WX

In Canada

If the problem is not due to one of the items listed in the “Troubleshooting” section...

Call the dealer from whom your appliance was purchased, or call Jenn-Air at **1-800-807-6777** to locate an authorized service company. When calling, please know the purchase date and the complete model and serial number of your appliance. Be sure to retain proof of purchase to verify warranty status.

If the dealer or service company cannot resolve your problem, write to:

Jenn-Air Brand Home Appliances
Customer eXperience Centre
1901 Minnesota Court
Mississauga, ON L5N 3A7

Web address: www.jennair.ca

Or call: **1-800-807-6777**.

NOTE: When writing or calling about a service problem, please include the following information:

1. Your name, address and daytime telephone number.
2. Appliance model number and serial number.
3. Name and address of your dealer or servicer.
4. A clear description of the problem you are having.
5. Proof of purchase (sales receipt).

User’s guides, service manuals and parts information are available from Jenn-Air Brand Home Appliances, Customer eXperience Centre.

JENN-AIR® COOKING APPLIANCE WARRANTY

LIMITED WARRANTY

For one year from the date of purchase, when this major appliance is operated and maintained according to instructions attached to or furnished with the product, Jenn-Air brand of Whirlpool Corporation or Whirlpool Canada LP (hereafter "Jenn-Air") will pay for factory specified parts and repair labor to correct defects in materials or workmanship. Service must be provided by a Jenn-Air designated service company. This limited warranty is valid only in the United States or Canada and applies only when the major appliance is used in the country in which it was purchased. Outside the 50 United States and Canada, this limited warranty does not apply. Proof of original purchase date is required to obtain service under this limited warranty.

SECOND THROUGH FIFTH YEAR LIMITED WARRANTY ON CERTAIN COMPONENT PARTS

In the second through fifth years from the date of purchase, when this appliance is operated and maintained according to instructions attached to or furnished with the product, Jenn-Air will pay for factory specified parts for the following components (if applicable to the product) if defective in materials or workmanship:

- Electric element
 - Touch Pad and microprocessor
 - Glass ceramic cooktop: if due to thermal breakage
 - Electronic controls
 - Magnetron tube
 - Sealed gas burners
-

ITEMS EXCLUDED FROM WARRANTY

This limited warranty does not cover:

1. Service calls to correct the installation of your major appliance, to instruct you on how to use your major appliance, to replace or repair house fuses, or to correct house wiring or plumbing.
2. Service calls to repair or replace appliance light bulbs, air filters or water filters. Consumable parts are excluded from warranty coverage.
3. Repairs when your major appliance is used for other than normal, single-family household use or when it is used in a manner that is contrary to published user or operator instructions and/or installation instructions.
4. Damage resulting from accident, alteration, misuse, abuse, fire, flood, acts of God, improper installation, installation not in accordance with electrical or plumbing codes, or use of consumables or cleaning products not approved by Jenn-Air.
5. Cosmetic damage, including scratches, dents, chips or other damage to the finish of your major appliance, unless such damage results from defects in materials or workmanship and is reported to Jenn-Air within 30 days from the date of purchase.
6. Any food loss due to refrigerator or freezer product failures.
7. Costs associated with the removal from your home of your major appliance for repairs. This major appliance is designed to be repaired in the home and only in-home service is covered by this warranty.
8. Repairs to parts or systems resulting from unauthorized modifications made to the appliance.
9. Expenses for travel and transportation for product service if your major appliance is located in a remote area where service by an authorized Jenn-Air servicer is not available.
10. The removal and reinstallation of your major appliance if it is installed in an inaccessible location or is not installed in accordance with published installation instructions.
11. Major appliances with original model/serial numbers that have been removed, altered or cannot be easily determined. This warranty is void if the factory applied serial number has been altered or removed from your major appliance.

The cost of repair or replacement under these excluded circumstances shall be borne by the customer.

DISCLAIMER OF IMPLIED WARRANTIES; LIMITATION OF REMEDIES

CUSTOMER'S SOLE AND EXCLUSIVE REMEDY UNDER THIS LIMITED WARRANTY SHALL BE PRODUCT REPAIR AS PROVIDED HEREIN. IMPLIED WARRANTIES, INCLUDING WARRANTIES OF MERCHANTABILITY OR FITNESS FOR A PARTICULAR PURPOSE, ARE LIMITED TO ONE YEAR OR THE SHORTEST PERIOD ALLOWED BY LAW. JENN-AIR SHALL NOT BE LIABLE FOR INCIDENTAL OR CONSEQUENTIAL DAMAGES. SOME STATES AND PROVINCES DO NOT ALLOW THE EXCLUSION OR LIMITATION OF INCIDENTAL OR CONSEQUENTIAL DAMAGES, OR LIMITATIONS ON THE DURATION OF IMPLIED WARRANTIES OF MERCHANTABILITY OR FITNESS, SO THESE EXCLUSIONS OR LIMITATIONS MAY NOT APPLY TO YOU. THIS WARRANTY GIVES YOU SPECIFIC LEGAL RIGHTS, AND YOU MAY ALSO HAVE OTHER RIGHTS WHICH VARY FROM STATE TO STATE OR PROVINCE TO PROVINCE.

If outside the 50 United States and Canada, contact your authorized Jenn-Air dealer to determine if another warranty applies.

If you need service, first see the "Troubleshooting" section of the Use & Care Guide. After checking "Troubleshooting," you may find additional help by checking the "Assistance or Service" section or by calling Jenn-Air. In the U.S.A., call **1-800-536-6247**. In Canada, call **1-800-807-6777**.

6/09

Keep this book and your sales slip together for future reference. You must provide proof of purchase or installation date for in-warranty service.

Write down the following information about your major appliance to better help you obtain assistance or service if you ever need it. You will need to know your complete model number and serial number. You can find this information on the model and serial number label located on the product.

Dealer name _____

Address _____

Phone number _____

Model number _____

Serial number _____

Purchase date _____

Notes

SÉCURITÉ DE LA TABLE DE CUISSON

Votre sécurité et celle des autres est très importante.

Nous donnons de nombreux messages de sécurité importants dans ce manuel et sur votre appareil ménager. Assurez-vous de toujours lire tous les messages de sécurité et de vous y conformer.



Voici le symbole d'alerte de sécurité.

Ce symbole d'alerte de sécurité vous signale les dangers potentiels de décès et de blessures graves à vous et à d'autres.

Tous les messages de sécurité suivront le symbole d'alerte de sécurité et le mot "DANGER" ou "AVERTISSEMENT". Ces mots signifient :

⚠ DANGER

Risque possible de décès ou de blessure grave si vous ne suivez pas immédiatement les instructions.

⚠ AVERTISSEMENT

Risque possible de décès ou de blessure grave si vous ne suivez pas les instructions.

Tous les messages de sécurité vous diront quel est le danger potentiel et vous disent comment réduire le risque de blessure et ce qui peut se produire en cas de non-respect des instructions.

IMPORTANTES INSTRUCTIONS DE SÉCURITÉ

AVERTISSEMENT : Pour réduire le risque d'incendie, de choc électrique, de blessures ou de dommages lors de l'utilisation de la table de cuisson, observer les précautions élémentaires suivantes, y compris ce qui suit :

- **MISE EN GARDE :** Ne pas remiser dans les armoires au-dessus d'une table de cuisson, des articles que des enfants pourraient vouloir atteindre. Les enfants pourraient se brûler ou se blesser en grim pant sur la table de cuisson.
- Installation appropriée – S'assurer que la table de cuisson est correctement installée et reliée à la terre par un technicien qualifié.
- Ne jamais utiliser la table de cuisson pour réchauffer ou chauffer la pièce.
- Ne pas laisser les enfants seuls – Les enfants ne doivent pas être laissés seuls ou sans surveillance dans la pièce où la table de cuisson est en service. Ne jamais laisser les enfants s'asseoir ou se tenir sur une partie quelconque de la table de cuisson.
- Porter des vêtements appropriés – Des vêtements amples ou détachés ne doivent jamais être portés pendant l'utilisation de la table de cuisson.
- Entretien par l'utilisateur – Ne pas réparer ou remplacer toute pièce de la table de cuisson si ce n'est pas spécifiquement recommandé dans le manuel. Toute autre opération d'entretien ou de réparation doit être confiée à un technicien qualifié.
- Remisage sur la table de cuisson – Des matériaux inflammables ne doivent pas être remisés près des éléments à la surface.
- Ne pas utiliser d'eau sur un feu de graisse – Étouffer le feu ou la flamme ou utiliser un extincteur à produits chimiques secs ou à mousse.
- N'utiliser que des mitaines de four sèches – Des mitaines de four mouillées ou humides sur des surfaces chaudes peuvent provoquer des brûlures provenant de la vapeur. Ne pas laisser les mitaines de four toucher les éléments chauffants. Ne pas utiliser une serviette ou autre tissu épais.
- **NE PAS TOUCHER LES ÉLÉMENTS À LA SURFACE OU L'ESPACE PRÈS DES ÉLÉMENTS** – Les éléments de surface peuvent être chauds même lorsqu'ils ont une teinte foncée. Les endroits près des éléments à la surface peuvent devenir assez chauds pour provoquer des brûlures. Pendant et après l'utilisation, ne pas toucher les éléments chauffants et ne pas laisser les vêtements ou autres matériaux inflammables entrer en contact avec ces éléments de surface ou les endroits près des éléments, avant qu'ils soient suffisamment refroidis. Ces endroits comprennent la table de cuisson et les surfaces près de la table de la cuisson.
- Utiliser des ustensiles de format approprié – La table de cuisson est munie d'un ou de plusieurs éléments chauffants de différentes grandeurs. Choisir les ustensiles qui ont un fond plat assez grand pour couvrir l'élément chauffant de la surface de cuisson. L'utilisation d'ustensiles trop petits exposera une partie de l'élément chauffant, ce qui peut provoquer l'inflammation des vêtements. L'utilisation d'un récipient de format correct améliore l'efficacité de la cuisson.
- Ne jamais laisser les éléments de la table de cuisson sans surveillance alors qu'ils chauffent à la puissance maximale – Il pourrait en résulter une ébullition qui cause de la fumée et des renversements de corps gras qui peuvent s'enflammer.
- Ustensiles de cuisson vitrifiés – Seulement certains types d'ustensiles de verre, vitrocéramique, céramique, faïence ou autres surfaces vitrifiées conviennent pour le service sur une table de cuisson, sans bris attribuables aux changements soudains de température.
- Les poignées des ustensiles doivent être tournées vers l'intérieur et non vers le dessus des éléments adjacents – Pour réduire les risques de brûlures, d'inflammation de produits combustibles et de renversements dus à l'entrechoquement non intentionnel des ustensiles, la poignée d'un ustensile doit être positionnée de sorte qu'elle est tournée vers l'intérieur et non au-dessus des éléments de surface adjacents.
- Ne pas faire cuire sur une table de cuisson endommagée – Si la table de cuisson est brisée, les solutions de nettoyage et les renversements peuvent pénétrer dans la table brisée et créer le risque d'un choc électrique. Contacter immédiatement un technicien qualifié.
- Nettoyer la table de cuisson avec prudence – Si une éponge ou un chiffon mouillé est utilisé pour essuyer les renversements sur une surface de cuisson chaude, éviter les brûlures causées par la vapeur chaude. Certains nettoyants peuvent produire des émanations désagréables lorsqu'ils sont utilisés sur une surface chaude.

Pour les appareils avec hotte de ventilation –

- Nettoyer les hottes de ventilation fréquemment – La graisse ne doit pas s'accumuler sur la hotte ou le filtre.
- Lorsque vous flambez des aliments sous la hotte, mettre le ventilateur en marche.

Pour les appareils à éléments en spirale –

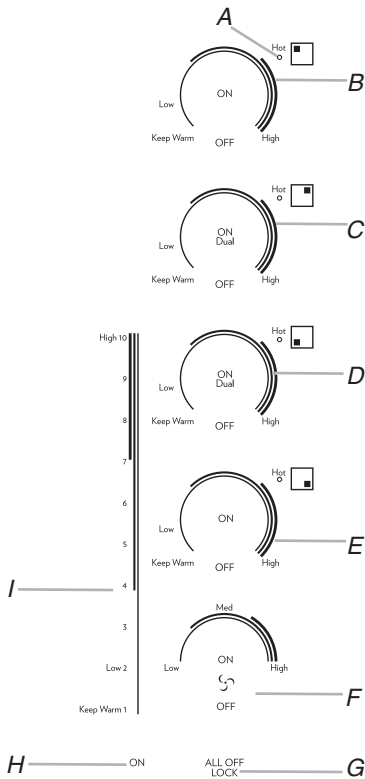
- S'assurer que les cuvettes de propreté sont en place – L'absence de ces cuvettes au cours de la cuisson peut causer des dommages aux fils ou aux composants en dessous des éléments.
- Garnissages protecteurs – Ne pas recouvrir les cuvettes de papier d'aluminium sauf tel que suggéré dans le manuel. L'installation incorrecte de papier d'aluminium ou autre matériau peut causer un risque de choc électrique ou d'incendie.
- Ne pas tremper les éléments de chauffage amovibles – Les éléments de chauffage ne doivent jamais être immergés dans l'eau.

CONSERVEZ CES INSTRUCTIONS

PIÈCES ET CARACTÉRISTIQUES

Ce manuel couvre différents modèles. La table de cuisson que vous avez achetée peut comporter tous les articles énumérés ou seulement certains d'entre eux.

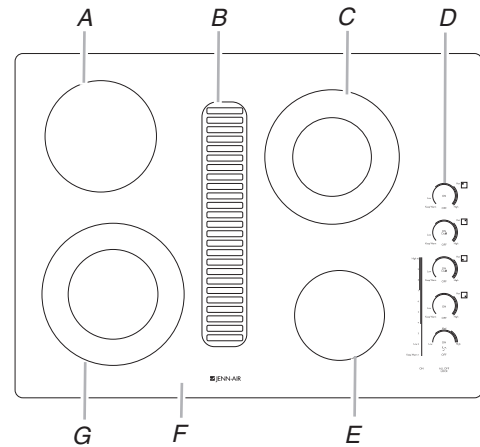
Tableau de commande de 30" (76,2 cm)



- A. Témoin lumineux de surface chaude
- B. Commande électronique tactile d'élément simple de 8" (20,3 cm)
- C. Commande électronique tactile d'élément double de 9"/6" (22,9 cm/15,2 cm)
- D. Commande électronique tactile d'élément double de 9"/6" (22,9 cm/15,2 cm)

- E. Commande électronique tactile d'élément simple de 6" (15,2 cm)
- F. Commande électronique tactile du ventilateur à trois vitesses
- G. Commande électronique tactile All off/Lock (arrêt/verrouillage total)
- H. Témoin lumineux "On" (marche)
- I. Barre électronique tactile de sélection de puissance

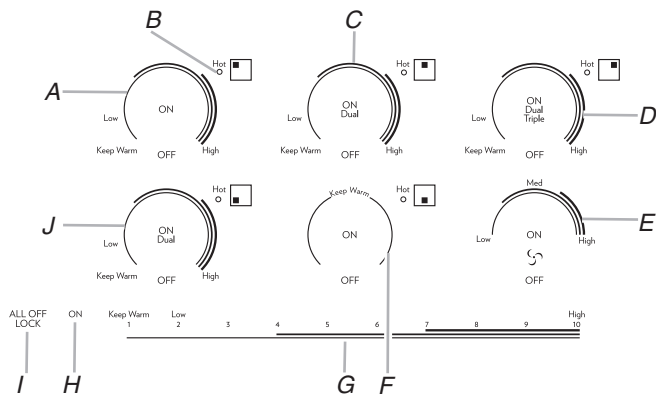
Disposition et caractéristiques de la table de cuisson de 30" (76,2 cm)



- A. Élément simple de 8" (20,3 cm)
- B. Grille de ventilation à extraction par le bas
- C. Élément double de 9"/6" (22,9 cm/15,2 cm)
- D. Tableau de commande

- E. Élément simple de 6" (15,2 cm)
- F. Surface de cuisson en céramique
- G. Élément double de 9"/6" (22,9 cm/15,2 cm)

Tableau de commande de 36" (91,4 cm)



A. Commande électronique tactile d'élément simple de 6" (15,2 cm)

B. Témoin lumineux de surface chaude

C. Commande électronique tactile d'élément double de 9"/6" (22,9 cm/15,2 cm)

D. Commande électronique tactile d'élément simple de 12" (30,5 cm)

E. Commande électronique tactile du ventilateur à trois vitesses

F. Commande de zone de maintien au chaud

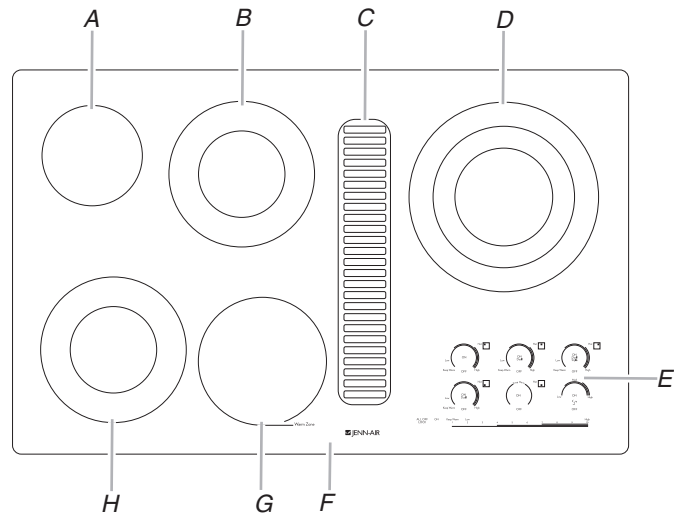
G. Barre électronique tactile de sélection de puissance

H. Témoin lumineux "On"

I. Commande électronique tactile All off/Lock (arrêt/verrouillage total)

J. Commande électronique tactile d'élément double de 9"/6" (22,9 cm/15,2 cm)

Disposition et caractéristiques de la table de cuisson de 36" (91,4 cm)



A. Élément simple de 6" (15,2 cm)

B. Élément double de 9"/6" (22,9 cm/15,2 cm)

C. Grille de ventilation à extraction par le bas

D. Élément triple de 12" (30,5 cm)

E. Tableau de commande

F. Surface de cuisson en céramique

G. Zone de maintien au chaud

H. Élément double de 9"/6" (22,9 cm/15,2 cm)

Ensemble accessoire de système de filtrage sans conduit Jenn-Air® facultatif

(Pour les modèles numéros JED4430 et JED4536)

L'ensemble de filtration sans conduit de Jenn-Air® numéro de modèle JDA7000WX peut être utilisé à la place du circuit d'évacuation par le bas à l'extérieur de la maison et est idéal aussi bien pour les nouvelles constructions que pour les projets de rénovation de la cuisine. Cet ensemble comprend tout le matériel nécessaire, un filtre et des instructions d'installation. Voir la section "Assistance ou service" pour plus d'informations sur le processus de commande.

UTILISATION DE LA TABLE DE CUISSON

Commandes de la table de cuisson - commandes électroniques tactiles

AVERTISSEMENT



Risque d'incendie

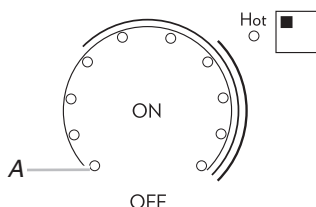
Fermer tous les réglages lorsque la cuisson est terminée.

Le non-respect de cette instruction peut causer un décès ou un incendie.

Les commandes électroniques tactiles offrent une grande variété de réglages de chaleur pour des résultats de cuisson optimaux.

Pour un fonctionnement maximal de l'élément, toutes les commandes électroniques tactiles de la table de cuisson peuvent être réglées à High (élevé) lorsqu'on porte rapidement un liquide à ébullition.

Lorsque la table de cuisson est allumée ou une fois le courant rétabli après une panne de courant, tous les témoins lumineux de réglage de température s'allument pendant 10 à 15 secondes. Une fois les témoins lumineux éteints, la table de cuisson est prête à l'emploi.



A. Témoin lumineux Keep Warm (maintien au chaud)

Utilisation :

- Appuyer sur la touche ON (marche) pour l'élément souhaité. Le témoin lumineux Keep Warm (maintien au chaud) clignote.
- Pendant que le témoin lumineux Keep Warm clignote, appuyer sur le niveau de puissance désiré sur la barre de sélection du niveau de puissance.



Un signal sonore retentit chaque fois que l'on appuie sur une touche. Les témoins lumineux correspondant au réglage de température sélectionné et à toutes les températures inférieures s'allument.

REMARQUE : Si l'on ne sélectionne pas un niveau de puissance dans les 10 secondes qui suivent environ, l'élément s'éteint automatiquement.

- Pour modifier le réglage de température lors de la cuisson, appuyer sur la touche ON (marche) correspondant à l'élément souhaité puis sélectionner une nouvelle température sur la barre de sélection du niveau de puissance pendant que le témoin lumineux Keep Warm clignote.

- À la fin de la cuisson, appuyer sur OFF (arrêt) pour éteindre individuellement la ou les zone(s) de cuisson à la surface, ou appuyer sur ALL OFF/LOCK (arrêt/verrouillage total) pour éteindre simultanément toutes les zones de cuisson à la surface.

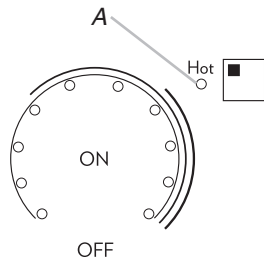
Utiliser le tableau suivant comme guide lors du réglage des niveaux de chaleur.

RÉGLAGE	UTILISATION RECOMMANDÉE
High (élevé) 10	<ul style="list-style-type: none">Démarrer la cuisson des aliments.Porter un liquide à ébullition.
Medium High (moyen-élevé) Entre 7 et 9	<ul style="list-style-type: none">Maintenir une ébullition rapide.Brunir ou saisir rapidement les aliments.
Med (moyen) 6	<ul style="list-style-type: none">Pour maintenir une ébullition lente.Faire frire ou sauter les aliments.
Medium Low (moyen - bas) 3-5	<ul style="list-style-type: none">Faire cuire les soupes et les sauces.Pour faire mijoter ou étuver les aliments.
Bas 2	<ul style="list-style-type: none">Fournit le réglage le plus bas de mijotage/chaleur.Mijotage (gamme de températures de mijotage).Faire fondre le chocolat et le beurre.
Maintien au chaud	<ul style="list-style-type: none">Pour garder au chaud les aliments cuits.
Éléments double/triple	<ul style="list-style-type: none">Préparation de conserves à la maison.Ustensile de cuisson à grand diamètre.Grandes quantités de nourriture.

N'oubliez pas : Quand l'appareil est utilisé, toute la surface de la table de cuisson peut devenir chaude.

Témoins lumineux de surface chaude

Les témoins lumineux de surface chaude sont situés près de chaque commande de la table de cuisson. Les témoins lumineux de surface chaude restent allumés tant qu'une zone de cuisson à la surface est trop chaude pour être touchée, même après que la ou les zone(s) est/sont éteinte(s).



A. Témoin lumineux de surface chaude

Si une panne de courant survient alors que la table de cuisson est allumée, les témoins lumineux de surface chaude resteront allumés jusqu'à 45 minutes après le rétablissement de l'alimentation électrique à la table de cuisson.

Témoin d'allumage de la table de cuisson

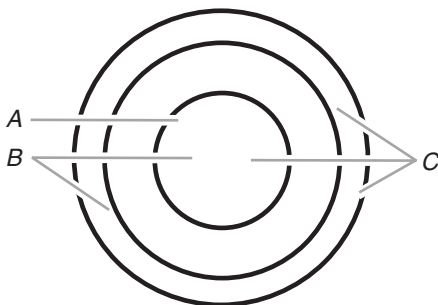
Le sélecteur de niveau de puissance possède un témoin lumineux Cooktop On (table de cuisson activée). Lorsque l'un des éléments de surface est allumé, le témoin s'allume.

Lorsqu'un élément est allumé, le témoin lumineux Keep Warm situé à côté s'allume.

Éléments double/triple

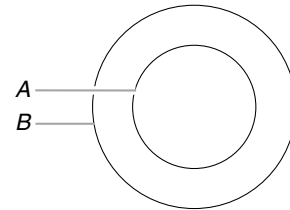
Les éléments double et triple offrent une souplesse d'utilisation en fonction de la taille de l'ustensile de cuisson. La dimension simple peut être utilisée de la même manière qu'un élément ordinaire. La dimension double et la dimension triple combinent l'élément simple, l'élément double et l'élément externe; leur utilisation est recommandée pour les ustensiles de cuisson de plus grande dimension, pour les grandes quantités de nourriture et la préparation de conserves à la maison.

Élément triple (sur certains modèles)



A. Dimension simple
B. Dimension double
C. Dimension triple

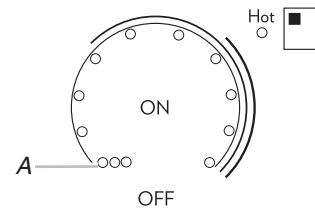
Élément double



A. Élément simple
B. Élément double

Utilisation des éléments DOUBLE et TRIPLE :

1. Lorsqu'on appuie sur ON (marche), toutes les zones de cuisson/chauffage sont actives. Pour réduire le nombre de zones de cuisson/chauffage utilisées, appuyer de nouveau sur ON. Un, deux ou trois témoins lumineux s'allument pour indiquer les zones de brûleur en cours d'utilisation. L'un des témoins lumineux clignotera.



A. Témoins lumineux de l'élément triple

2. Pendant que le témoin lumineux Keep Warm clignote, appuyer sur le niveau de puissance désiré sur la barre de sélection du niveau de puissance.



Un signal sonore retentit chaque fois que l'on appuie sur une touche. Les témoins lumineux correspondant au réglage de température sélectionné et à toutes les températures inférieures s'allument.

REMARQUE : Si l'on ne sélectionne pas un niveau de puissance dans les 10 secondes qui suivent environ, l'élément s'éteint automatiquement.

3. Pour modifier le réglage de température lors de la cuisson, appuyer sur la touche ON (marche) correspondant à l'élément souhaité puis sélectionner une nouvelle température sur la barre de sélection du niveau de puissance pendant que le témoin lumineux Keep Warm clignote.
4. Pour modifier les zones de brûleur utilisées pendant la cuisson, appuyer de nouveau une fois sur ON (marche) pendant que le témoin lumineux Keep Warm clignote.
5. À la fin de la cuisson, appuyer sur OFF (arrêt) pour éteindre individuellement la ou les zone(s) de cuisson à la surface, ou appuyer sur ALL OFF/LOCK (arrêt/verrouillage total) pour éteindre simultanément toutes les zones de cuisson à la surface.

REMARQUE : Les éléments simple et triple mémorisent le réglage effectué lors de la dernière utilisation et ces zones de brûleur s'activent automatiquement la prochaine fois que l'on appuie sur ON (marche). Pour modifier les zones de brûleur activées, appuyer sur ON (marche) pendant que le témoin lumineux Keep Warm clignote.

Keep Warm (maintien au chaud)

AVERTISSEMENT

Risque d'empoisonnement alimentaire

Ne pas laisser des aliments reposer plus d'une heure avant ou après la cuisson.

Le non-respect de cette instruction peut causer un empoisonnement alimentaire ou une maladie.

La fonction Keep Warm peut être utilisée pour garder des aliments cuits au chaud; elle peut être utilisée que les zones de cuisson à la surface soient utilisées ou non. Une heure est la durée maximale recommandée pour maintenir la qualité des aliments.

La fonction n'est pas recommandée pour faire chauffer des aliments froids. Lorsqu'on utilise la fonction Keep Warm (maintien au chaud), la zone ne rougeie pas comme les zones de cuisson mais le témoin lumineux s'allume sur le tableau de commande.

Utiliser seulement les ustensiles et plats recommandés pour l'utilisation au four et sur la table de cuisson, et utiliser ceux qui possèdent un fond plat pour un contact direct avec la surface de la table de cuisson. Utiliser des mitaines de four pour retirer les ustensiles.

Recouvrir tous les aliments avec un couvercle ou du papier d'aluminium. Ne pas utiliser de pellicule de plastique pour recouvrir les aliments car elle pourrait fondre sur la surface de la table de cuisson. Lors du réchauffage de produits de boulangerie, prévoir une petite ouverture pour laisser l'humidité s'échapper.

La qualité des aliments peut se détériorer si on les laisse sur la fonction Keep Warm pendant une longue période. Pour de meilleurs résultats, ne pas maintenir les aliments au chaud plus de 30 à 45 minutes.

Un réglage Keep Warm est disponible sur toutes les zones de cuisson en surface standard. Une zone de cuisson en surface Keep Warm distincte est également disponible.

Utilisation de la zone de cuisson en surface Keep Warm (maintien au chaud) (sur certains modèles) :

1. Appuyer sur ON (marche).
2. À la fin de la cuisson, appuyer sur OFF (arrêt) pour éteindre la zone de cuisson à la surface.

Utilisation du réglage Keep Warm (maintien au chaud) sur les zones de cuisson standard à la surface :

Utilisation :

1. Appuyer sur la touche ON (marche) pour l'élément souhaité. Le témoin lumineux Keep Warm (maintien au chaud) clignote.
2. Pendant que le témoin lumineux Keep Warm clignote, appuyer sur Keep Warm, sur la barre de sélection du niveau de puissance.



3. À la fin de la cuisson, appuyer sur OFF (arrêt) pour éteindre la zone de cuisson à la surface.

Arrêt/verrouillage total

Les commandes tactiles All Off (arrêt total) de la table de cuisson éteignent en même temps toutes les zones de cuisson à la surface utilisées.

La commande de verrouillage de la table de cuisson empêche l'utilisation involontaire des zones de cuisson à la surface. Lorsque la table de cuisson est verrouillée, les surfaces de cuisson ne peuvent pas être allumées au moyen des commandes tactiles de la table de cuisson.

Pour verrouiller la table de cuisson : Appuyer sur la touche ALL OFF/LOCK (arrêt/verrouillage total) pendant 4 secondes. Au bout de 4 secondes, ALL OFF/LOCK s'allume en rouge, indiquant que les commandes de la table de cuisson sont en position verrouillée.

Pour déverrouiller la table de cuisson : Appuyer sur la touche ALL OFF/LOCK (arrêt/verrouillage total) pendant 4 secondes.

Vitrocéramique

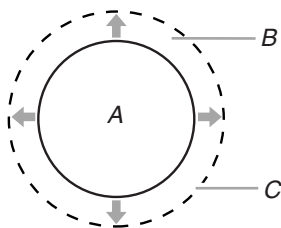
La zone de la surface de cuisson rougeie lorsque l'élément est allumé, sauf lorsque la zone Faire fondre ou la zone de maintien au chaud (sur certains modèles) est utilisée. Il s'allume et s'éteint par intermittence pour maintenir le niveau de chaleur sélectionné.

Il est normal que la surface de vitrocéramique claire semble changer de couleur lorsque les zones de cuisson à la surface sont chaudes. Lorsque le verre refroidit, il revient à sa couleur originale.

Le fait d'essuyer la table de cuisson avant et après chaque utilisation permettra d'éviter la présence de taches et d'assurer une meilleure répartition de la chaleur. Sur les tables de cuisson en vitrocéramique claire, les salissures et taches sont susceptibles d'être plus visibles et de nécessiter davantage de nettoyage et de soins. L'utilisation d'un nettoyant pour table de cuisson et d'un grattoir est recommandée. Voir la section "Nettoyage général" pour plus de renseignements.

- Ne pas ranger de bocaux ou de boîtes de conserve au-dessus de la table de cuisson. La chute d'un objet lourd ou dur sur la table de cuisson pourrait la fêler.
- Afin d'éviter d'endommager la table de cuisson, ne pas laisser un couvercle chaud sur la table de cuisson. Lorsque la table de cuisson refroidit, de l'air peut s'accumuler entre le couvercle et la table de cuisson, et la vitrocéramique pourrait se casser lorsqu'on enlève le couvercle.
- Nettoyer dès que possible tous les renversements et toutes les saletés des aliments contenant du sucre sous n'importe quelle forme. Laisser la table de cuisson refroidir légèrement. Ensuite, tout en portant des mitaines de four, nettoyer les renversements tandis que la surface est encore tiède. Si on laisse le sucre refroidir sur la table de cuisson, il se peut que celui-ci adhère à la surface et entraîne de la corrosion et des marques permanentes.

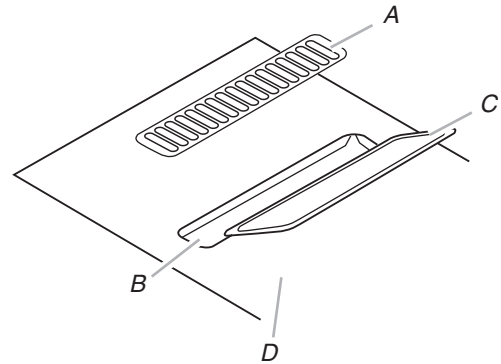
- Afin d'éviter toute égratignure, ne pas faire glisser d'ustensiles de cuisson sur la table de cuisson. Les fonds en aluminium ou en cuivre et les finis rugueux des ustensiles de cuisson pourraient laisser des égratignures ou des marques sur la table de cuisson.
- Ne pas faire cuire sur la table de cuisson du maïs soufflé dans des récipients préemballés en aluminium. Ils pourraient laisser des marques d'aluminium qui ne peuvent être complètement enlevées.
- Afin d'éviter d'endommager la table de cuisson, ne pas laisser des objets qui pourraient fondre, comme du plastique ou du papier d'aluminium, toucher une partie quelconque de la table de cuisson.
- Afin d'éviter d'endommager la table de cuisson, ne pas l'utiliser en guise de planche à découper.
- Utiliser des ustensiles de cuisson environ de la même taille que la surface de cuisson. L'ustensile de cuisson ne doit pas dépasser de plus de 1/2" (1,3 cm) hors de la zone de cuisson.



A. Zone de cuisson à la surface
 B. Ustensiles de cuisson/autoclave
 C. Dépassement maximum de 1/2" (1,3 cm)

- Utiliser des ustensiles de cuisson à fond plat pour une meilleure conduction de la chaleur et une meilleure utilisation de l'énergie. Les ustensiles de cuisson à fond arrondi, déformé, cannelé ou bosselé pourraient causer un chauffage inégal et des mauvais résultats de cuisson.
- Vérifier que le récipient est plat en plaçant le bord plat d'une règle en travers du fond du récipient. Lorsque l'on fait tourner la règle, aucun espace ni aucune lumière ne devrait être visible entre celle-ci et le récipient.
- S'assurer que les fonds des casseroles et poêles sont propres et secs avant de les utiliser. Les résidus et l'eau peuvent laisser des dépôts quand ils sont chauffés.
- Afin d'éviter d'endommager la table de cuisson, ne pas faire cuire d'aliments directement sur la table de cuisson.

Système de ventilation avec aspiration par le bas



A. Grille d'évent
 B. Plateau de soutien du filtre (non amovible)
 C. Filtre à graisse amovible
 D. Surface en vitrocéramique

Le système de ventilation à aspiration par le bas se compose d'un couvercle pour évent, d'un filtre et d'un ventilateur d'évacuation. Le système de ventilation par le bas élimine les vapeurs, les odeurs et la fumée de cuisson des aliments préparés sur la table de cuisson.

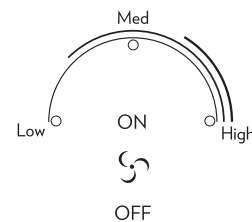
IMPORTANT : Ne pas faire fonctionner le système de ventilation avec aspiration par le bas sans que le filtre ne soit correctement installé.

Afin d'éviter une accumulation de graisse, le filtre doit être nettoyé souvent.

Pour plus d'informations sur l'installation et le nettoyage corrects du filtre, voir "Système de ventilation avec aspiration par le bas" dans la section "Nettoyage général".

Utilisation :

1. Appuyer une fois sur ON (marche) pour le mode HIGH (élevée), deux fois pour le mode MEDIUM (moyenne) ou trois fois pour le mode LOW (basse). Un signal sonore retentit chaque fois que l'on appuie sur la touche ON (marche). L'indicateur lumineux sous le mode sélectionné s'allume.



2. Lorsque la cuisson est terminée, appuyer sur OFF pour éteindre le système d'aspiration par le bas, ou appuyer sur ON (marche) pendant environ 4 secondes pour régler le système de ventilation par le bas au mode automatique. Au mode automatique, le système d'aspiration par le bas s'éteint automatiquement après 10 minutes.

Préparation de conserves à la maison

Lors de la préparation de conserves pendant de longues périodes, alterner l'utilisation des surfaces de cuisson, des éléments ou des brûleurs de surface entre les quantités préparées. Cette alternance permet aux dernières surfaces utilisées de refroidir.

- Centrer l'autoclave sur la grille ou la plus grande surface de cuisson ou sur le plus grand élément. Sur les tables de cuisson électriques, l'autoclave ne doit pas dépasser de plus de ½" (1,3 cm) hors de la surface de cuisson ou de l'élément.
- Ne pas placer l'autoclave sur deux surfaces de cuisson, deux éléments ou deux brûleurs de surface à la fois.
- Sur les modèles à vitrocéramique, n'utiliser que des autoclaves à fond plat.
- Pour plus de renseignements, communiquez avec votre service local d'agriculture. Les compagnies qui fabriquent des produits pour la préparation de conserves peuvent aussi offrir de l'aide.

Ustensiles de cuisson

IMPORTANT : Ne pas laisser un ustensile de cuisson vide sur la surface d'une table de cuisson, d'un élément ou d'un brûleur de surface chauds.

Les ustensiles de cuisson idéals doivent avoir un fond plat, des parois droites, un couvercle qui ferme bien et le matériau doit être d'épaisseur moyenne à forte.

Les surfaces rêches peuvent érafler la table de cuisson ou les grilles. L'aluminium et le cuivre peuvent être employés comme fond ou base dans un ustensile de cuisson. Cependant, utilisés comme base, ils peuvent laisser des marques permanentes sur la table de cuisson ou les grilles.

Le matériau d'un ustensile de cuisson affecte la rapidité et l'uniformité de la transmission de la chaleur, ce qui affecte les résultats de cuisson. Un fini antiadhésif a les mêmes caractéristiques que son matériau de base. Par exemple, un ustensile de cuisson en aluminium avec un fini antiadhésif aura les propriétés de l'aluminium.

Utiliser le tableau suivant comme guide pour les caractéristiques du matériau de l'ustensile de cuisson.

USTENSILE	CARACTÉRISTIQUES
Aluminium	<ul style="list-style-type: none">■ Chauffe rapidement et uniformément.■ Convient à tous les genres de cuisson.■ L'épaisseur moyenne ou forte convient le mieux pour la plupart des tâches de cuisson.
Fonte	<ul style="list-style-type: none">■ Chauffe lentement et uniformément.■ Convient pour le brunissage et la friture.■ Maintient la chaleur pour une cuisson lente.
Céramique ou vitrocéramique	<ul style="list-style-type: none">■ Suivre les instructions du fabricant.■ Chauffe lentement mais inégalement.■ Les meilleurs résultats sont obtenus sur les réglages de chaleur basse à moyenne.
Cuivre	<ul style="list-style-type: none">■ Chauffe très rapidement et de façon uniforme.
Terre cuite	<ul style="list-style-type: none">■ Suivre les instructions du fabricant.■ Utiliser des réglages de température basse.
Acier émaillé (porcelaine) ou fonte émaillée	<ul style="list-style-type: none">■ Voir acier inoxydable ou fonte.
Acier inoxydable	<ul style="list-style-type: none">■ Chauffe rapidement, mais inégalement.■ Un fond ou une base d'aluminium ou de cuivre sur l'acier inoxydable procure un chauffage uniforme.

ENTRETIEN DE LA TABLE DE CUISSON

Nettoyage général

IMPORTANT : Avant le nettoyage, s'assurer que toutes les commandes sont désactivées et que la table de cuisson est refroidie. Toujours suivre les instructions figurant sur les étiquettes des produits de nettoyage.

Du savon, de l'eau et un chiffon doux ou une éponge sont recommandés à moins d'indication contraire.

VITROCÉRAMIQUE

Afin d'éviter d'endommager la vitrocéramique, ne pas utiliser de laine d'acier, de nettoyeurs en poudre abrasifs, d'eau de Javel, de produit antirouille ou d'ammoniaque.

Toujours essuyer avec une éponge ou un linge propre mouillé et sécher à fond pour prévenir les rayures et les taches.

La crème à polir pour table de cuisson est recommandée pour une utilisation ordinaire pour aider à éviter les égratignures, les piqûres et l'abrasion et pour entretenir la table de cuisson. Elle peut être commandée comme accessoire. Voir "Assistance ou service" pour commander.

Un grattoir pour table de cuisson est aussi recommandé pour les taches tenaces et peut être commandé comme accessoire. Voir "Assistance ou service" pour commander. Le grattoir pour table de cuisson utilise des lames de rasoir. Ranger les lames de rasoir hors de portée des enfants.

Méthode de nettoyage :

Souillure légère à modérée

- Essuie-tout ou éponge humide propre

Renversements de matières sucrées (gelées, confiseries, sirop)

- Grattoir pour table de cuisson :

Gratter les renversements à base de sucre pendant que la table de cuisson est encore tiède. Il est suggéré de porter des mitaines de four pour ce nettoyage.

- Crème à polir pour table de cuisson et essuie-tout propre et humide :

Nettoyer dès que la table de cuisson a refroidi. Frotter la crème sur la surface avec un essuie-tout ou un linge doux humide. Continuer de frotter jusqu'à ce que la pellicule blanche disparaisse.

Souillure épaisse, rayures foncées, piqûres et décoloration

- Crème à polir pour table de cuisson ou produit de nettoyage non abrasif :

Frotter le produit sur la souillure avec un essuie-tout ou un linge doux humide. Continuer de frotter jusqu'à ce que la pellicule blanche disparaisse.

Souillure cuite

- Crème à polir pour table de cuisson et grattoir :

Frotter la crème sur la souillure avec un essuie-tout humide. Tenir le grattoir aussi à plat que possible sur la surface et gratter. Répéter pour les taches tenaces. Polir toute la table de cuisson avec la crème et un essuie-tout.

Marques métalliques provenant de l'aluminium et du cuivre

- Crème à polir pour table de cuisson :

Nettoyer dès que la table de cuisson a refroidi. Frotter la crème sur la surface avec un essuie-tout ou un linge doux humide. Continuer de frotter jusqu'à ce que la pellicule blanche disparaisse. Les marques ne disparaîtront pas totalement, mais après plusieurs nettoyages, elles deviendront moins apparentes.

Petites éraflures et abrasions

- Crème à polir pour table de cuisson :

Frotter la crème sur la surface avec un essuie-tout ou un linge doux humide. Continuer de frotter jusqu'à ce que la pellicule blanche disparaisse. Les éraflures et les abrasions n'affectent pas le rendement et après plusieurs nettoyages, elles deviendront moins apparentes.

COMMANDES DE LA TABLE DE CUISSON

Afin d'éviter d'endommager les commandes de la table de cuisson, ne pas utiliser de laine d'acier, de nettoyeurs abrasifs ou de nettoyeur pour four.

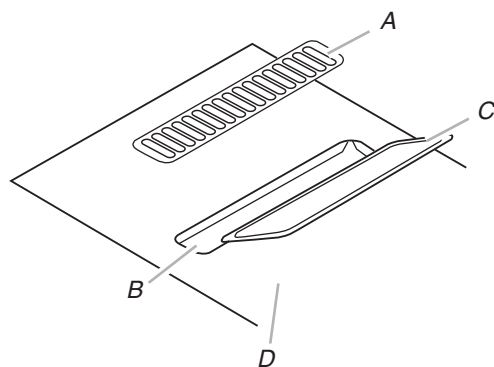
ACIER INOXYDABLE (sur certains modèles)

Afin d'éviter d'endommager les surfaces en acier inoxydable, ne pas utiliser de tampons à récurer savonneux, de nettoyeurs abrasifs, de crème à polir pour table de cuisson, de tampons en laine d'acier, de chiffons de lavage rêches ou d'essuie-tout abrasifs.

Frotter dans la direction du grain pour éviter les dommages.

Méthode de nettoyage :

- Détergent liquide ou nettoyant tout-usage : Rincer à l'eau propre et sécher avec un chiffon doux sans charpie.
- Vinaigre pour les taches d'eau dure.



A. Grille d'évent
B. Plateau de soutien du filtre (non amovible)
C. Filtre à graisse amovible
D. Surface en vitrocéramique

Grille d'évent

Méthode de nettoyage :

- Saisir l'ouverture de la grille et la soulever de la table de cuisson.
- Essuyer ou laver dans un évier :
Ustensile de récurage en plastique non abrasif et nettoyant légèrement abrasif
- Lave-vaisselle :
Utiliser un détergent doux.

Filtre amovible

Le filtre correspond à un filtre permanent et doit être nettoyé lorsqu'il est sale.

Méthode de nettoyage :

- Éteindre le système de ventilation avec aspiration par le bas avant de retirer le filtre.
- Retirer la grille de ventilation et dégager ensuite le filtre de la chambre d'évacuation en le soulevant.
- Nettoyer le filtre à l'eau tiède et au détergent dans l'évier ou dans le lave-vaisselle.
- Réinstaller le filtre.

Le filtre doit toujours être placé en angle. Lorsque l'on se place face à la cuisinière, le sommet du filtre doit reposer contre le côté gauche de l'ouverture d'aération. Le fond du filtre doit reposer contre le côté droit de la chambre d'évacuation, au fond de celle-ci.

Si le filtre est à plat contre la paroi du ventilateur, l'efficacité du système de ventilation sera réduite.

Chambre d'évacuation

La chambre d'évacuation dans laquelle est logé le filtre doit être nettoyée régulièrement en cas de renversement ou si elle est recouverte d'une pellicule grasseuse.

Méthode de nettoyage :

- Détergent ou nettoyant doux pour usage domestique et essuie-tout, chiffon ou éponge humide :

Appliquer le détergent ou nettoyant sur l'essuie-tout, le chiffon ou l'éponge humide et non pas directement sur la chambre d'évacuation.

Filtre de rechange pour système de filtrage sans conduit de Jenn-Air® facultatif

La cartouche du filtre de rechange pour système de filtrage sans conduit de Jenn-Air®, pièce numéro JDA8000WX, est conçue pour durer pendant six mois de fonctionnement normal. La cartouche de filtre n'est pas conçue pour être nettoyée ni réutilisée et doit être remplacée par le TimeStrip®. Le rendement du système d'extraction par le bas sera réduit si le filtre n'est pas changé lorsque le TimeStrip® le recommande. Voir la section "Assistance ou service" pour plus d'informations sur le processus de commande.

DÉPANNAGE

Essayer les solutions suggérées ici d'abord afin d'éviter le coût d'une visite de service non nécessaire.

Rien ne fonctionne

- **Un fusible du domicile est-il grillé ou le disjoncteur s'est-il déclenché?**
Remplacer le fusible ou réenclencher le disjoncteur. Si le problème persiste, appeler un électricien.
-

La table de cuisson ne fonctionne pas

- **Le bouton de commande est-il réglé correctement?**
Enfoncer le bouton avant de le tourner à un réglage.
-

Chaleur excessive autour des ustensiles de cuisson sur la table de cuisson

- **L'ustensile de cuisson est-il de dimension appropriée?**
Utiliser un ustensile de cuisson à peu près de la même dimension que la surface ou l'élément de cuisson, ou le brûleur de surface. L'ustensile de cuisson ne doit pas dépasser de plus de ½" (1,3 cm) à l'extérieur de la zone de cuisson.
-

Les résultats de cuisson sur la table de cuisson ne sont pas les résultats prévus

- **Utilise-t-on un ustensile de cuisson approprié?**
Voir la section "Ustensiles de cuisson".
 - **La commande est-elle réglée au niveau approprié de chaleur?**
Voir la section "Commandes de la table de cuisson".
 - **Le verrouillage de la table de cuisson "All Off/Lock" (arrêt/verrouillage total) a-t-il été réglé?**
Voir la section "All Off/Lock" (arrêt/verrouillage total).
 - **L'appareil est-il d'aplomb?**
Régler l'aplomb de l'appareil. Voir les Instructions d'installation.
 - **La table de cuisson émet-elle constamment un signal sonore?**
Essuyer tout résidu de la surface du tableau de commande.
-

Rendement du système d'aspiration par le bas inférieur au rendement prévu

- **Le filtre est-il propre?**
Voir la section "Nettoyage général" pour des instructions de nettoyage du filtre.
-

ASSISTANCE OU SERVICE

Avant de faire un appel pour assistance ou service, veuillez vérifier la section "Dépannage". Cette vérification peut vous faire économiser le coût d'une visite de service. Si vous avez encore besoin d'aide, suivre les instructions ci-dessous.

Lors d'un appel, veuillez connaître la date d'achat et les numéros au complet du modèle et de la série de votre appareil. Ces renseignements nous aideront à mieux répondre à votre demande.

Au Canada

Si le problème n'est pas attribuable à l'une des raisons indiquées dans la section "Dépannage"...

Téléphonez au marchand qui vous a vendu l'appareil ou téléphonez à Jenn-Air en composant le **1-800-807-6777** pour localiser une compagnie de service autorisée. Lors d'un appel, veuillez connaître la date d'achat et les numéros de modèle et de série complets de votre appareil. Assurez-vous de conserver la preuve d'achat pour vérifier les conditions de la garantie.

Si le marchand ou la compagnie de service ne peut pas résoudre votre problème, écrivez à :

Jenn-Air Brand Home Appliances
Centre pour l'eXpérience avec la clientèle
1901 Minnesota Court
Mississauga, ON L5N 3A7

Adresse Internet : www.jennair.ca

ou composez le **1-800-807-6777**.

REMARQUE : Pour toute correspondance ou appel au sujet d'un problème de service, veuillez inclure les renseignements suivants :

1. Vos nom, adresse et numéro de téléphone durant la journée.
2. Numéros de modèle et de série de l'appareil.
3. Nom et adresse de votre marchand ou du service d'entretien.
4. Une description claire du problème existant.
5. Preuve d'achat (reçu de vente).

Les guides de l'utilisateur, manuels d'entretien et informations sur les pièces sont disponibles auprès du Centre pour l'eXpérience avec la clientèle des appareils électroménagers de la marque Jenn-Air.

Accessoires

Crème à polir pour table de cuisson

(modèles avec vitrocéramique)

Commander la pièce n° 31464B

Protecteur de table de cuisson

(modèles avec vitrocéramique)

Commander la pièce n° 31463B

Grattoir pour table de cuisson

(modèles avec vitrocéramique)

Commander la pièce n° WA906B

Nettoyant et poli pour acier inoxydable

(modèles en acier inoxydable)

Commander la pièce n° 31462B

Nettoyant tout-usage pour appareils ménagers

Commander la pièce n° 31682B

Filtre à graisse de rechange

Commander la pièce numéro W10240990

Ensemble accessoire de système de filtrage sans conduit Jenn-Air® facultatif

(pour modèles JED3430, JED3536, JED4430, JED4536, JGD3430 and JGD3536)

Commander la pièce numéro JDA7000WX

Filtre de rechange pour système de filtrage sans conduit de Jenn-Air® facultatif

Commander la pièce numéro JDA8000WX

GARANTIE DES APPAREILS DE CUISSON JENN-AIR®

GARANTIE LIMITÉE

Pendant un an à compter de la date d'achat, lorsque ce gros appareil ménager est utilisé et entretenu conformément aux instructions jointes à ou fournies avec le produit, Jenn-Air, marque de Whirlpool Corporation ou Whirlpool Canada LP (ci-après désignées "Jenn-Air") paiera pour les pièces spécifiées par l'usine et la main-d'œuvre pour corriger les vices de matériaux ou de fabrication. Le service doit être fourni par une compagnie de service désignée par Jenn-Air. Cette garantie limitée est valide uniquement aux États-Unis ou au Canada et s'applique exclusivement lorsque l'appareil est utilisé dans le pays où il a été acheté. À l'extérieur du Canada et des 50 États des États-Unis, cette garantie limitée ne s'applique pas. Une preuve de la date d'achat original est exigée pour obtenir un service dans le cadre de la présente garantie limitée.

GARANTIE LIMITÉE DE LA DEUXIÈME À LA CINQUIÈME ANNÉE INCLUSIVEMENT SUR CERTAINS COMPOSANTS

De la deuxième à la cinquième année inclusivement à compter de la date d'achat, lorsque cet appareil ménager est utilisé et entretenu conformément aux instructions jointes à ou fournies avec le produit, Jenn-Air paiera pour les pièces spécifiées par l'usine pour les composants suivants (si applicables au produit), en cas de vices de matériaux ou de fabrication :

- | | |
|---|---------------------------|
| ■ Élément électrique | ■ Commandes électroniques |
| ■ Clavier tactile et microprocesseur | ■ Tube magnétron |
| ■ Table de cuisson en vitrocéramique : en cas de bris d'origine thermique | ■ Brûleurs à gaz scellés |

ARTICLES EXCLUS DE LA GARANTIE

La présente garantie limitée ne couvre pas :

1. Les visites de service pour rectifier l'installation du gros appareil ménager, montrer à l'utilisateur comment utiliser l'appareil, remplacer ou réparer des fusibles ou rectifier le câblage ou la plomberie du domicile.
 2. Les visites de service pour réparer ou remplacer les ampoules électriques de l'appareil, les filtres à air ou les filtres à eau. Les pièces consommables ne sont pas couvertes par la garantie.
 3. Les réparations lorsque le gros appareil ménager est utilisé à des fins autres que l'usage unifamilial normal ou lorsque les instructions d'installation et/ou les instructions de l'opérateur ou de l'utilisateur fournies ne sont pas respectées.
 4. Les dommages imputables à : accident, modification, usage impropre ou abusif, incendie, inondation, actes de Dieu, installation fautive ou installation non conforme aux codes d'électricité ou de plomberie, ou l'utilisation de pièces consommables ou de produits nettoyants non approuvés par Jenn-Air.
 5. Les défauts apparents, notamment les éraflures, les bosses, fissures ou tout autre dommage au fini du gros appareil ménager, à moins que ces dommages soient dus à des vices de matériaux ou de fabrication et soient signalés à Jenn-Air dans les 30 jours suivant la date d'achat.
 6. Toute perte d'aliments due à une défaillance du réfrigérateur ou du congélateur.
 7. Les coûts associés au transport du gros appareil ménager du domicile pour réparation. Ce gros appareil ménager est conçu pour être réparé à domicile et seul le service à domicile est couvert par la présente garantie.
 8. Les réparations aux pièces ou systèmes résultant d'une modification non autorisée faite à l'appareil.
 9. Les frais de transport pour le service d'un produit si votre gros appareil est situé dans une région éloignée où un service d'entretien Jenn-Air autorisé n'est pas disponible.
 10. La dépose et la réinstallation de votre gros appareil si celui-ci est installé dans un endroit inaccessible ou n'est pas installé conformément aux instructions d'installation fournies.
 11. Les gros appareils ménagers dont les numéros de série et de modèle originaux ont été enlevés, modifiés ou qui ne peuvent pas être facilement identifiés. La présente garantie est nulle si le numéro de série d'usine a été modifié ou enlevé du gros appareil ménager.
- Le coût d'une réparation ou d'un remplacement dans le cadre de ces circonstances exclues est à la charge du client.

CLAUDE D'EXONÉRATION DE RESPONSABILITÉ AU TITRE DES GARANTIES IMPLICITES; LIMITATION DES RECOURS

LE SEUL ET EXCLUSIF RECOURS DU CLIENT DANS LE CADRE DE LA PRÉSENTE GARANTIE LIMITÉE CONSISTE EN LA RÉPARATION PRÉVUE CI-DESSUS. LES GARANTIES IMPLICITES, Y COMPRIS LES GARANTIES APPLICABLES DE QUALITÉ MARCHANDE ET D'APTITUDE À UN USAGE PARTICULIER, SONT LIMITÉES À UN AN OU À LA PLUS COURTE PÉRIODE AUTORISÉE PAR LA LOI. JENN-AIR N'ASSUME AUCUNE RESPONSABILITÉ POUR LES DOMMAGES FORTUITS OU INDIRECTS. CERTAINES JURIDICTIONS NE PERMETTENT PAS L'EXCLUSION OU LA LIMITATION DES DOMMAGES FORTUITS OU INDIRECTS, OU LES LIMITATIONS DE LA DURÉE DES GARANTIES IMPLICITES DE QUALITÉ MARCHANDE OU D'APTITUDE À UN USAGE PARTICULIER, DE SORTE QUE CES EXCLUSIONS OU LIMITATIONS PEUVENT NE PAS S'APPLIQUER DANS VOTRE CAS. CETTE GARANTIE VOUS CONFÈRE DES DROITS JURIDIQUES SPÉCIFIQUES ET VOUS POUVEZ ÉGALEMENT JOUIR D'AUTRES DROITS QUI PEUVENT VARIER D'UNE JURIDICTION À UNE AUTRE.

Si vous résidez à l'extérieur du Canada et des 50 États des États-Unis, contactez votre marchand Jenn-Air autorisé pour déterminer si une autre garantie s'applique.

Si vous avez besoin de service, voir d'abord la section "Dépannage" du Guide d'utilisation et d'entretien. Après avoir vérifié la section "Dépannage", de l'aide supplémentaire peut être trouvée en vérifiant la section "Assistance ou service" ou en appelant Jenn-Air. Aux É.-U., composer le **1-800-536-6247**. Au Canada, composer le **1-800-807-6777**.

6/09

Conservez ce manuel et votre reçu de vente ensemble pour référence ultérieure. Pour le service sous garantie, vous devez présenter un document prouvant la date d'achat ou d'installation.

Inscrivez les renseignements suivants au sujet de votre gros appareil ménager pour mieux vous aider à obtenir assistance ou service en cas de besoin. Vous devrez connaître le numéro de modèle et le numéro de série au complet. Vous trouverez ces renseignements sur la plaque signalétique située sur le produit.

Nom du marchand _____

Adresse _____

Numéro de téléphone _____

Numéro de modèle _____

Numéro de série _____

Date d'achat _____

Notes

W10197057B

© 2009.
All rights reserved.
Tous droits réservés.

© Registered Trademark/TM Trademark of Jenn-Air, U.S.A. Used under license by Maytag Limited in Canada.
©Marque déposée/TM Marque de commerce de Jenn-Air, U.S.A. Emploi sous licence par Maytag Limited au Canada.

10/09
Printed in U.S.A.
Imprimé aux É.-U.